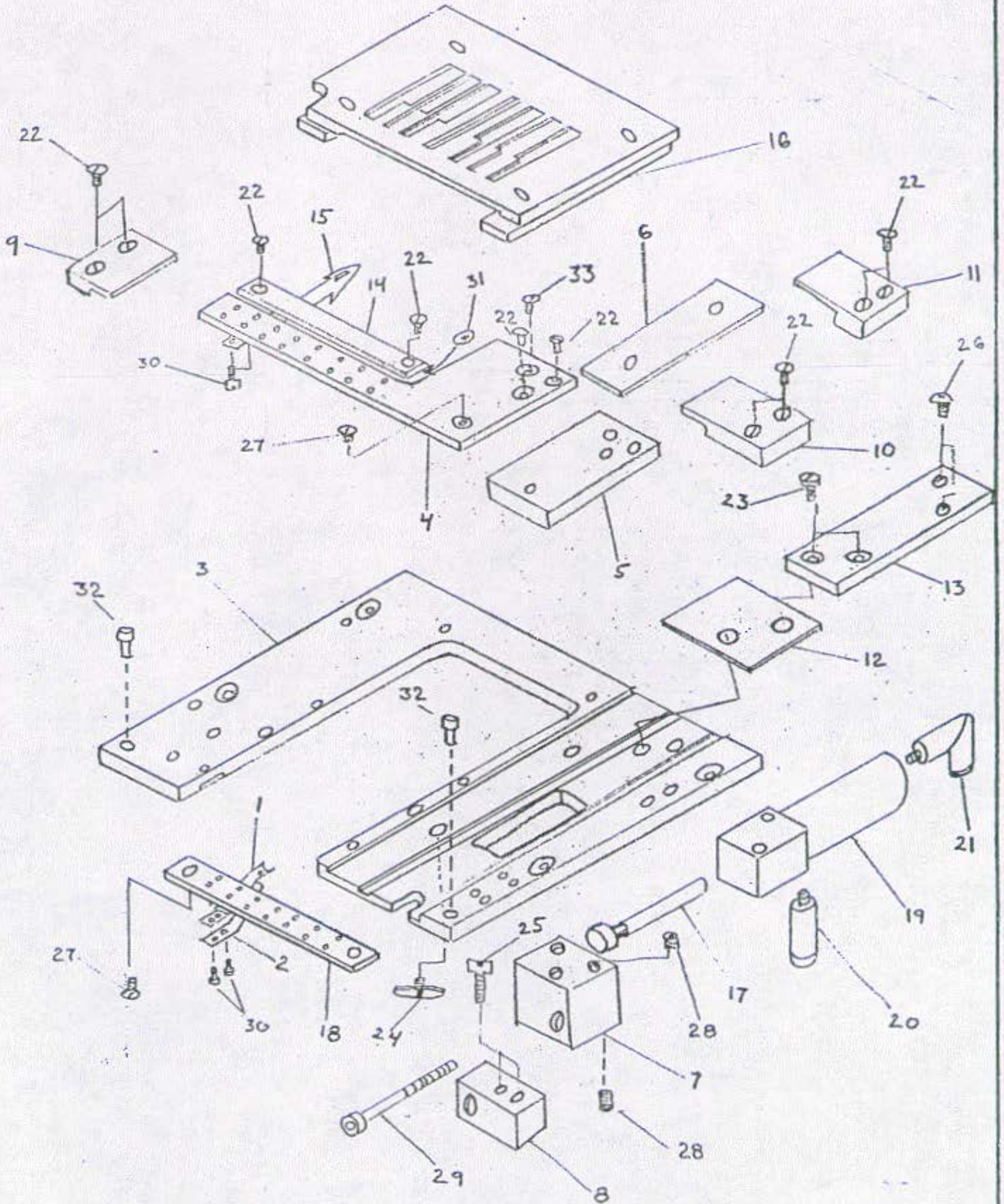




F/UTC AIR UNIT ASSEMBLY COMPLETE

|     |       |  |   |
|-----|-------|--|---|
| 1.  | G1010 | MOUNTING PLATE                               | 1 |
| 2.  | P5002 | 1/8 FILTER REGULATOR                         | 1 |
| 3.  | P6006 | FOUR WAY VALVE                               | 2 |
| 4.  | P6003 | FOUR WAY STACK                               | 1 |
| 5.  | P6005 | THREE WAY VALVE                              | 2 |
| 6.  | P6004 | THREE WAY STACK                              | 1 |
| 7.  | P2001 | 1 1/4" BORE , 2" STROKE, DBL ACTING CYLINDER | 1 |
| 8.  | P5001 | ROD CLEVIS                                   | 1 |
| 9.  | P5004 | 1/4 NPT MUFFLER                              | 2 |
| 10. | P4002 | 1/4 NPT PLUG                                 | 3 |
| 11. | P4011 | 1/4 NPT x 5/32" OD CONNECTOR                 | 2 |
| 12. | P4003 | 1/4 NPT x 5/32" OD 90 °CONNECTOR             | 1 |
| 13. | P4006 | QUICK DISCONNECT PLUG 1/8                    | 1 |
| 14. | P4007 | QUICK DISCONNECT SOCKET 1/8                  | 1 |
| 15. | P4004 | 1/8 NPT x 5/32" OD CONNECTOR                 | 7 |
| 16. | P4009 | 1/8 NPT x 10-32 FLOW CONTROL                 | 1 |
| 17. | P4001 | 10-32 x 5/ 32 OD CONNECTOR                   | 1 |
| 18. | P4005 | 1/8NPT x 5/32" OD 90° CONNECTOR              | 1 |
| 19. | E1003 | PINS   | 6 |
| 20. | P4013 | 5/32" OD UNION ( HOSE CONNECTION TO MACH)    | 4 |
| 21. | E1004 | 1/4" ID SPIRAL WRAP TUBING                   | 1 |
| 22. | S3801 | 8-32 x 1 1/2" PHILLIPS PANHEAD               | 2 |
| 23. | S3802 | 8-32 x 1/2" PHILLIPS PANHEAD                 | 2 |
| 24. | E1002 | RECEPTACLE HOUSING                           | 1 |
| 25. | E1001 | RECEPTACLE HOUSING                           | 1 |

# F4000/UTC KNIFE BASE (A1004)



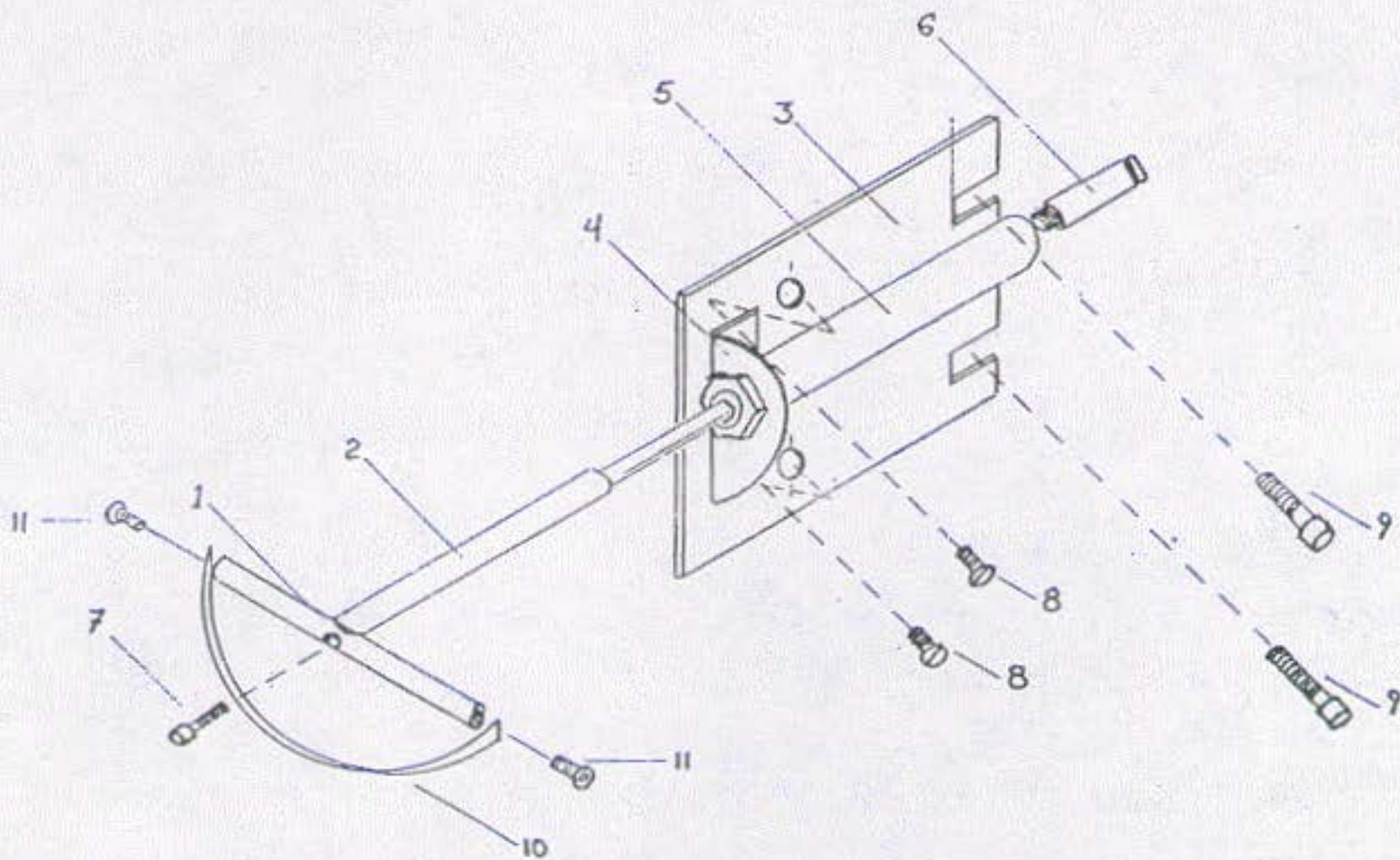
F4400 KNIFE BASE (12 NEEDLE)

|     | <u>Part<br/>Number</u> | <u>Name</u>                    | <u>Qty.</u> |
|-----|------------------------|--------------------------------|-------------|
| 1.  | K2032                  | Upper Spring                   | 12          |
| 2.  | K2031                  | Lower Spring                   | 12          |
| 3.  | K2001                  | Main Plate                     | 1           |
| 4.  | K2002                  | Shuttle Knife Base             | 1           |
| 5.  | K2003                  | Main Slide                     | 1           |
| 6.  | K2004                  | Slide Liner                    | 1           |
| 7.  | G1015                  | Knife/Cyl Coup Block           | 1           |
| 8.  | G1016                  | Stroke Stop Block              | 1           |
| 9.  | K2027                  | Left Guide                     | 1           |
| 10. | K2005                  | Right Front Guide              | 1           |
| 11. | K2006                  | Right Rear Guide               | 1           |
| 12. | K2028                  | Spacer Plate                   | 1           |
| 13. | G1013                  | Cylinder Bracket               | 1           |
| 14. | K1001                  | Stat Knife                     | 1           |
| 15. | K1002                  | Shuttle Knife                  | 12          |
| 16. | K1029                  | Ndl. Plate Spacer              | 1           |
| 17. | G1014                  | Drive Bolt                     | 1           |
| 18. | K2029                  | Spring Base                    | 1           |
| 19. | P2002                  | 7/16" Bore 1" Stroke blk. mnt. | 1           |
| 20. | P4001                  | 10-32x5/32 Fitting             | 1           |
| 21. | P4012                  | 10-32x5/32 90° Fitting         | 1           |

SCREWS

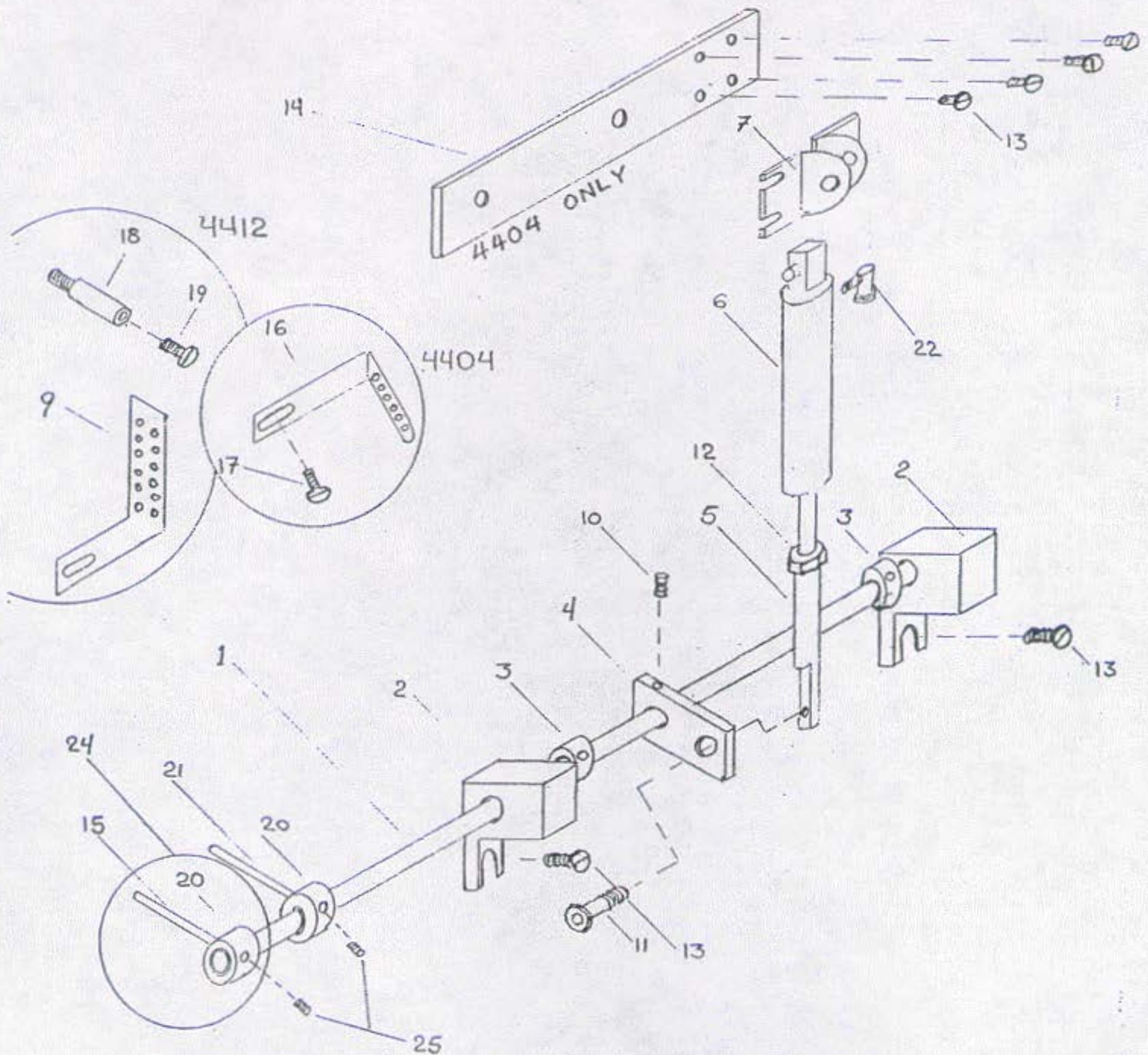
|     |        |                          |    |
|-----|--------|--------------------------|----|
| 22. | 84-464 | 9/64x40x7 Flat           | 10 |
| 23. | 84-601 | 11/64x40 Pan             | 2  |
| 24. | 84-559 | 11/64x40 Over Sized Head | 2  |
| 25. | S1004  | M3x.5 SHCS               | 2  |
| 26. | S3004  | 8-32x3/8 SHCS            | 2  |
| 27. | 84-465 | 9/64x40x3 Flat           | 3  |
| 28. | S1404  | 3MM.x.5 Set Screw        | 2  |
| 29. | S3001  | 8-32x2½ SCHS             | 1  |
| 30. | S1002  | M2x0.4x3L SHCS           | 48 |
| 31. | U3018  | 4.7 idx8od.x0.5          | 3  |
| 32. | S1014  | M4x0.7x6L Set Screw      | 2  |
| 33. | 84-461 | 9/64x40x11.5             | 1  |

# NEEDLE THREAD PULL OFF (A-1005)



|     | Part#  | Description                                | Qty. |
|-----|--------|--|------|
| 1.  | F1008  | Push Rod                                   | 1    |
| 2.  | F1007  | Cylinder Extention Rod                     | 1    |
| 3.  | G1075  | Thread Pull Off Mounting Bracket           | 1    |
| 4.  | P5006  | Cylinder Mounting Bracket                  | 1    |
| 5.  | P1007  | Cylinder 7/16 x 11 1/2 Single Acting Keyed | 1    |
| 6.  | P4001  | Fitting 10-32 x 5/32                       | 1    |
| 7.  | S1004  | Screw M3 x 0.5 x 10                        | 1    |
| 8.  | 84-601 | Screw 11/64 x 40 x 7                       | 2    |
| 9.  | S1009  | Screw M6 x 1 x 10                          | 2    |
| 10. | G1073  | Inl. Thd. Pull Off Loop                    | 1    |
| 11. | S3811  | 8-32 x 1/4 Button Head Screw               | 2    |
| 12. | U3017  | Washer                                     | 2    |
| 13. | 75-467 | Washer                                     | 2    |

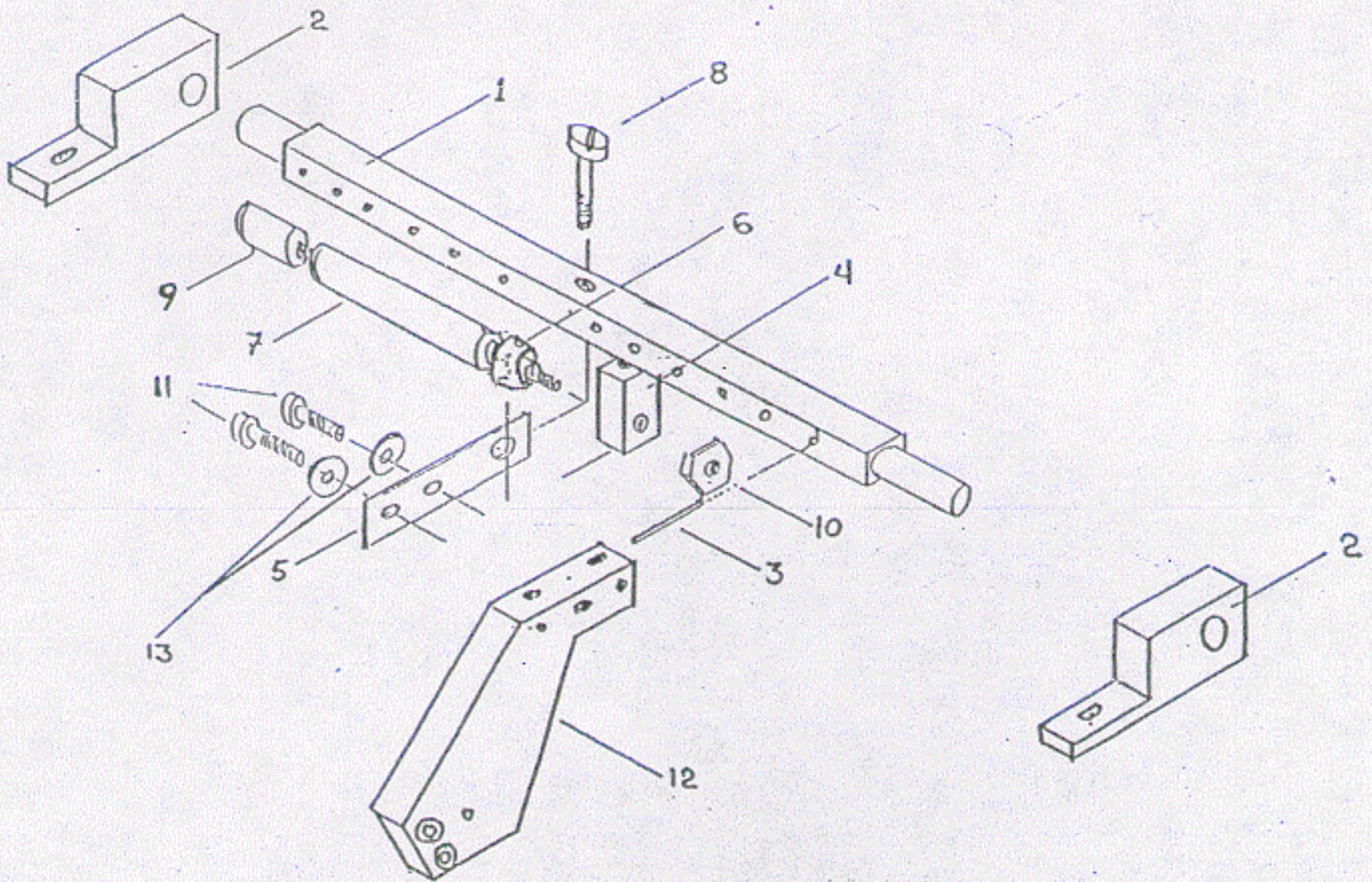
# LOOPER THREAD PULL OFF (A-1006)



|     | Part#  | Description                                    | Qty.  |
|-----|--------|--|-------|
| 1.  | F1005  | Pull-Off Rod (3/16" Dia)                       | 1     |
| 2.  | G1078  | Support Block                                  | 2     |
| 3.  | U5005  | Collar 5mmID X 10mmOD x 6mm wide 3mm Set Screw | 2     |
| 4.  | G1079  | Cyl./ Bar Link                                 | 1     |
| 5.  | F1006  | Cylinder Extension Rod                         | 1     |
| 6.  | P1002  | Cylinder, 7/16 x 1½ Single Acting, Keyed       | 1     |
| 7.  | P1005  | Pinion Bracket Set                             | 1 Set |
| 8.  | 84-566 | 11/64 x 40 x (12-15)                           | 2     |
| 9.  | 47-407 | Thread Eyelet (12 Needle)                      | 1     |
| 10. | 84-521 | 11/64 x 40 SH. S                               | 1     |
| 11. | S4508  | Screw S.H.SH 8-32 X 0.25                       | 1     |
| 12. | U1801  | 10-32 Nut (Ext. Rod)                           | 1     |
| 13. | 84-601 | 11/64 x 40 x 7 (Cylinder Mount)                | 6     |
| 14. | G1080  | Loop Thd. Pull Off Mnt Brkt                    | 1     |
| 15. | G1090  | Straight Pin                                   | 1     |
| 16. | 45-418 | Thread Eyelet (4 Needle)                       | 1     |
| 17. | 84-571 | 11/64-40 PH Screw (4 Needle)                   | 1     |
| 18. | 84-625 | Stand Off (12 Needle)                          | 1     |
| 19. | 84-601 | 11/64-40 PH Screw (12 Needle)                  | 1     |
| 20. | U5006  | Collar (U5005) Drilled (Looped Thd. Pull Off   | 2     |
| 21. | G1093  | Bent Pin .094 Dia.                             | 1     |
| 22. | P4020  | 10-32 x 5/32 Banjo Fitting                     | 1     |
| 23. | A1010  | Looper Thd. Take Up Pin Set, Straight          | 1     |
| 24. | A1011  | Looper Thd. Take Up Pin Set, Bent              | 1     |
| 25. | S1401  | M3 X 0.5 SET SCREW                             | 4     |

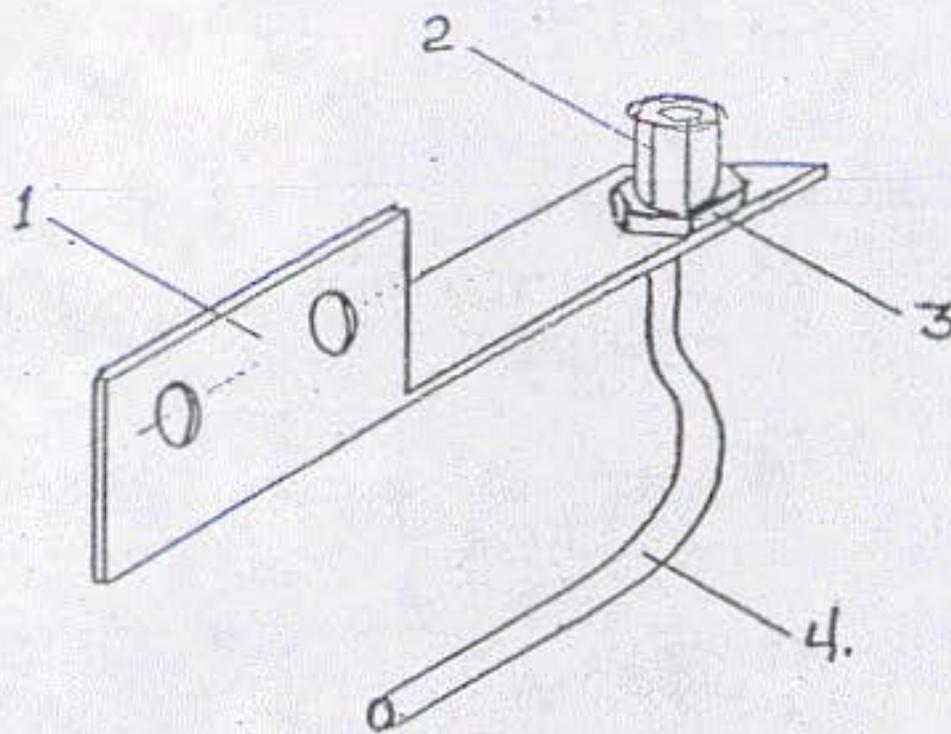
# NEEDLE THREAD TENSION RELEASE (A1007)

(F-4406~4412)



| Part# | Description                                    | Qty. |
|-------|--|------|
| 1.    | G1002 Tension Release Bar                      | 1    |
| 2.    | G1001 Tension Release Support Block            | 2    |
| 3.    | G1003 Pins (Tapered)                           | 6-12 |
| 4.    | G1006 Ten. Rel. Act Blk                        | 1    |
| 5.    | G1005 Cylinder Bracket                         | 1    |
| 6.    | U5001 Collar W/ Set Screw 7/32" Id.            | 1    |
| 7.    | P1001 Cylinder W/ Nut 9/16 x 3/4 Spring Return | 1    |
| 8.    | S2503 M4 x 0.7 x 10 Shoulder Screw             | 1    |
| 9.    | P4001 Fitting 10-32 x 5/32 OD                  | 1    |
| 10.   | U1801 10-32 Nut                                | 1    |
| 11.   | S1009 Screw M6 x 1 x 10                        | 2    |
| 12.   | G1077 Main Tension Bracket                     | 1    |
| 13.   | U3017 Washer                                   | 2    |

# NEEDLE THREAD BLOWER (A1008)

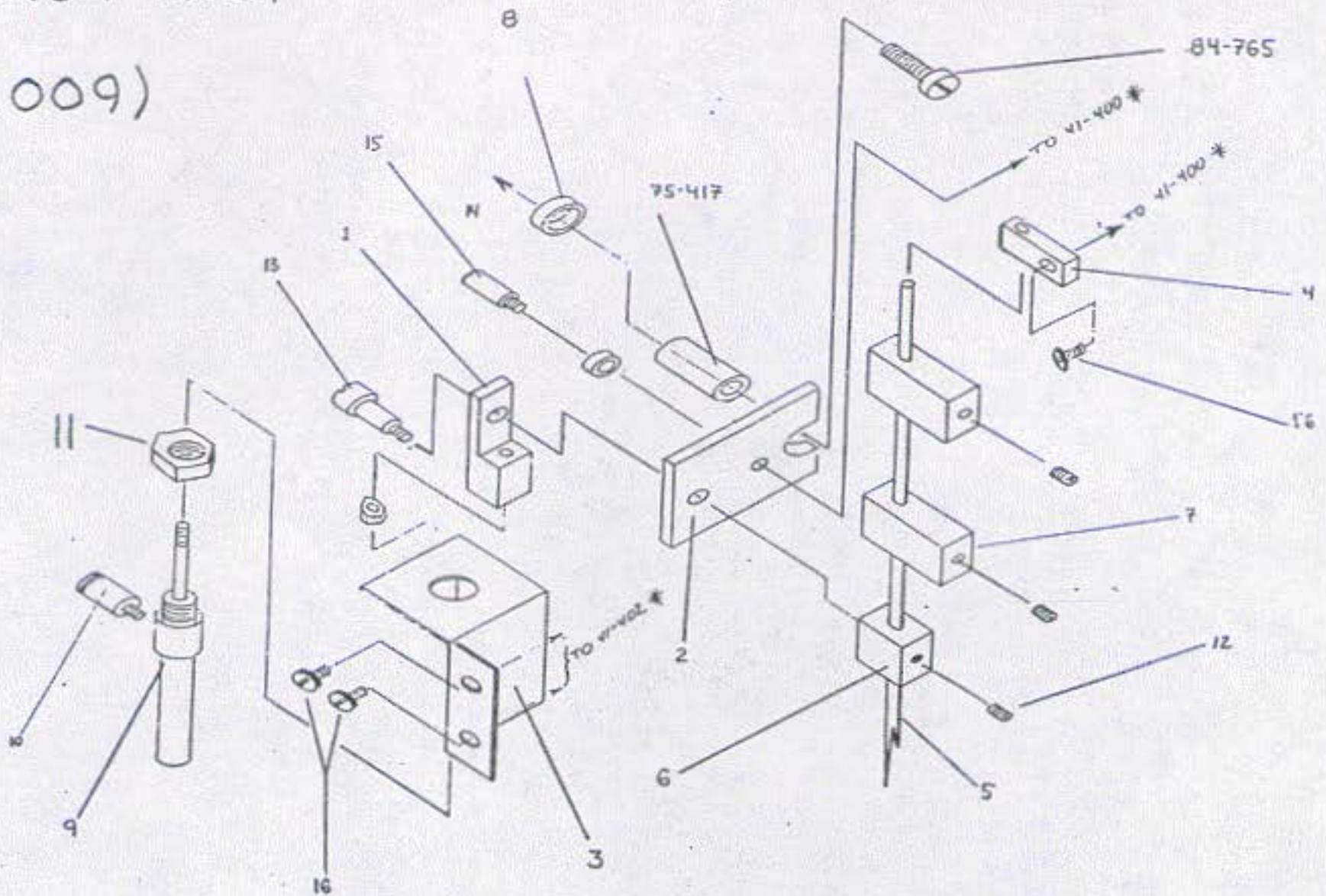


|    |       |                                 |   |
|----|-------|---------------------------------|---|
| 1. | G1074 | NEEDLE THREAD BLOWER BRACKET    | 1 |
| 2. | P4001 | FITTING 10-32 x 5/32 OD         | 1 |
| 3. | U1801 | 10-32 NUT                       | 1 |
| 4. | P7010 | COPPER TUBE 1/8 OD .030 WALL 3" | 1 |

# NEEDLE THREAD TENSION RELEASE / THREAD PULL OFF

F-4404 ONLY

(A-1009)



|     | Part#    | Description   | Qty. |
|-----|----------|---|------|
| 1.  | G1081    | Pull Off Cylinder Block                                   | 1    |
| 2.  | G1082    | Pull Off Link   | 1    |
| 3.  | G1083    | Pull Off Cylinder Mount Bracket                           | 1    |
| 4.  | G1084    | Rod Mount Block   | 2    |
| 5.  | F1010    | Pull Off Rod  | 1    |
| 6.  | G1085    | Pull Off Rod Connector Block                              | 1    |
| 7.  | G1070    | Thread Pull Off Block                                     | 4    |
| 8.  | 84-566   | 11/64 x 40 x (12x15) Pan Head Screw                       | 2    |
| 9.  | P1006    | Air Cylinder 7/16 x 1" Stk Spring<br>Extended With Spring | 1    |
| 10. | P4001    | Air Fitting 5/32 x 10-32                                  | 1    |
| 11. | U1801    | Nut 10-32   | 1    |
| 12. | S3403    | Set Screw 8-32  | 5    |
| 13. | S2502    | Slot HD Shoulder Screw M4 x 0.7                           | 1    |
| 14. | 75-394   | Collar  | 1    |
| 15. | 84-573   | Shoulder Screw Pin  | 1    |
| 16. | 84-564   | Pan HD Screw 11/64-40                                     | 2    |
| 17. | 75-132-1 | Collar  | 1    |

## F400/UTC

MISCELLANEOUS

|     | Part#  | Description                               | Qty. |
|-----|--------|---|------|
| 1.  | G1088  | Cloth Plate Modified                      | 1    |
| 2.  | G1076  | Thread Pull Off Cover                     | 1    |
| 3.  | S3402  | Screw 5/44 x 40 Set Spreader Screw        | 6-12 |
| 4.  | F1009  | Modified Spreader                         | 4-12 |
| 5.  | F1011  | Posotioner Rod (Modified)                 | 1    |
| 6.  | U3005  | Spacer Washer (Forder Mounting)           | 2    |
| 7.  | 88-166 | Positioner Rod Nut                        | 1    |
| 8.  | 75-552 | Rod Nut Washer                            | 1    |
| 9.  | S4507  | 8-32 x 1½ Standoff (Pull Off Cover)       | 3    |
| 10. | S3811  | 8-32 x ½ Button HD (Pull Off Cover)       | 3    |
| 11. | G1089  | Cover Latch Spacer                        | 1    |
| 12. | G1091  | Clothplate Spacer, End                    | 1    |
| 13. | G1092  | Clothplate Spacer Center                  | 1    |
| 14. | 75-384 | Spacer For Clothplate With Washer 5/32    | 2    |
| 15. | U3016  | Spacer For Clothplate Without Washer 7/32 | 2    |
| 16. | 75-942 | Washer for Spring Clip                    | 1    |
| 17. | 84-361 | Screw For 75-942                          | 1    |
| 18. | 84-579 | Clothplate Screws                         | 1    |
| 19. | 06-958 | Positioner Hub                            | 1    |
| 20. | U3013  | 5/16 Lockwasher                           | 1    |
| 21. | P4014  | Manifold (6,9,12 Needles)                 | 1    |
| 22. | P4008  | "T" Fitting (4 Needles)                   | 1    |